



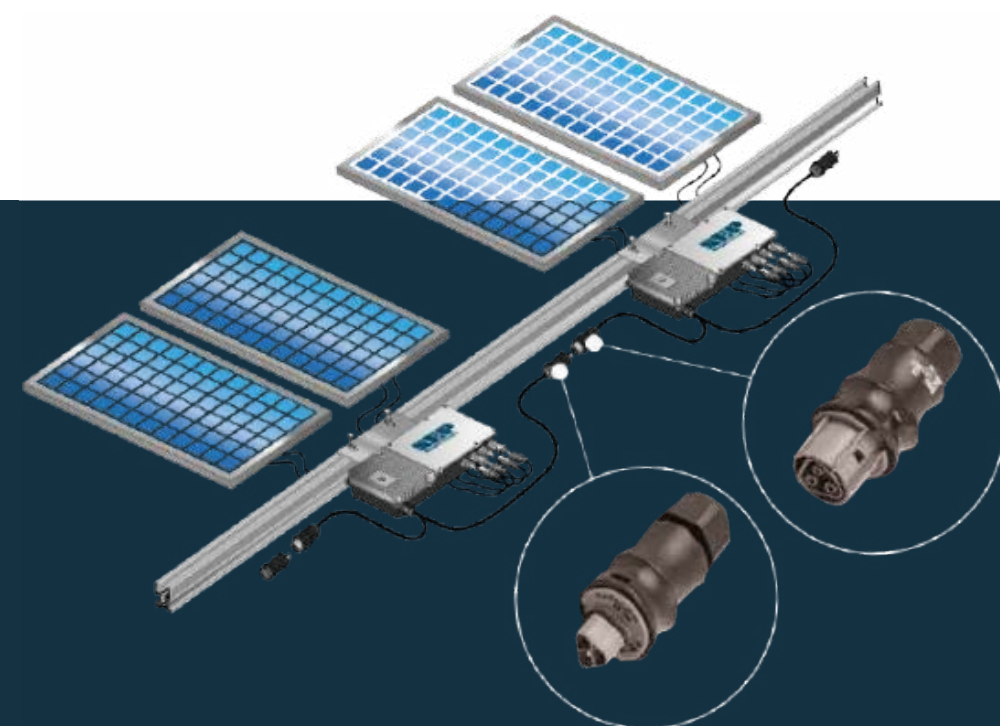
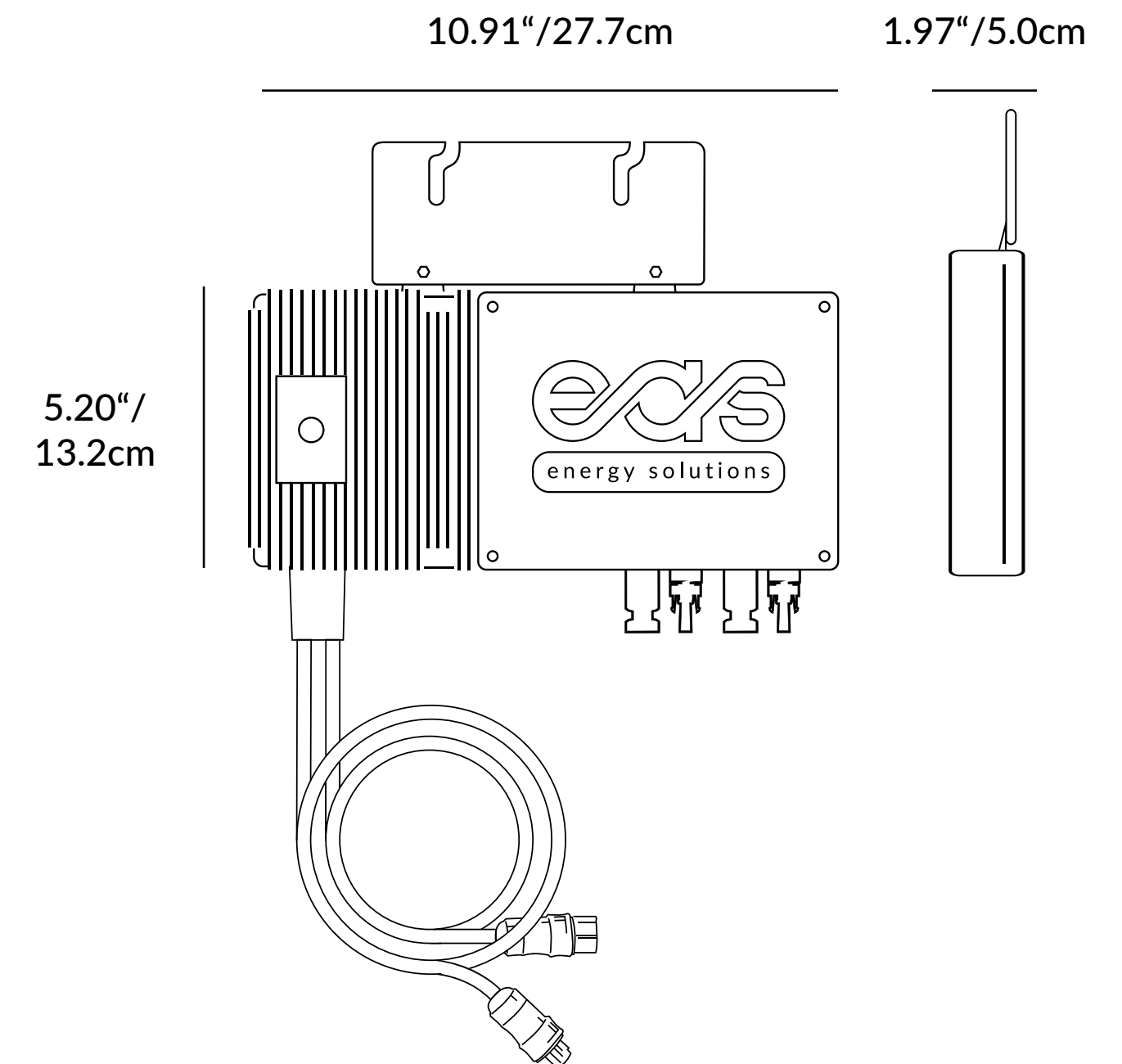
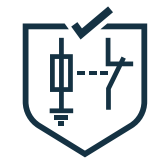
EAS-M600 MICROINVERTER



Features

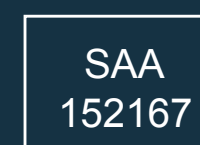


- Low cost \$/watt micro inverter
- High continuous output power up to 580Wac, recommended for dual max 450W solar panel
- High efficiency with 95.5% CEC
- Globally certified for UL1741, SAA, TUV, VDE-AR-N 4105, VDE 0126, G83/2, CEL 021, IEC61727, EN50438, ABNT NBR 6149/16150
- Integrated grounding for easy installation
- NEMA-6/IP-66/IP-67 enclosure rating
- Can be connected with multiple EAS-M300 and EAS-M600



Important product information

- EAS is committed to developing Clean, Affordable, Reliable and Efficient (CARE) products for our customers worldwide.
- EAS microinverters have an isolation transformer and basic isolation between the DC input and the AC output network.





EAS-M600 MICROINVERTER



- Grid parameters are configurable through a BDG-256 or BDG-256P3 gateway
- All NEC required adjustment factors have been considered for AC outputs. AC current outputs will not exceed stated values for Rated Output AC Current

Compliance

- NEC 2020 Section 690.11 DC Arc-Fault Circuit Protection
- NEC 2020 Section 690.12 Rapid Shutdown of PV Systems on Buildings
- NEC 2020 Section 705.12 Point of Connection (AC Arc-Fault Protection)

Input (DC)	Recommended Max PV Power (Wp)	450 x 2			
	Max DC Open Circuit Voltage (Vdc)	60			
	Max DC Input Current (Adc)	14 x 2			
	MPPT Tracking Accuracy	>99.5%			
	MPPT Tracking Range (Vdc)	22-55			
	Isc PV (absolute maximum) (Adc)	18 x 2			
	Maximum Inverter Backfeed Current to the Array (Adc)	0			
Output (AC)	Peak AC Output Power (Wp)	580 (continuous)			
	Rated AC Output Power (Wp)	500			
	Nominal Power Grid Voltage (Vac)	240	208	230	
	Allowable Power Grid Voltage (Vac)	211-264*	183-229*	configurable*	
	Allowable Power Grid Frequency (Hz)	59.3 a 60.5*		configurable*	
	THD	<3% (at rated power)			
	Power Factor (cos phi, fixed)	>0.99 (at rated power)			
	Rated Output Current (Aac)	2.28	2.78	2.52	
	Current (inrush)(Peak and Duration)	24A, 15us			
	Nominal Frequency (Hz)	60		50	
	Maximum Output Fault Current (Aac)	4.4A peak			
	Maximum Output Overcurrent Protection (Aac)	10			
	Maximum Number of Units Per Branch (20A) (All NEC adjustment factors have been considered)	7	6	6	
	System Efficiency	Weighted Averaged Efficiency (CEC)	95.50%		
		Night Time Tare Loss (Wp)	0.11		
Protection Functions	Over/Under Voltage Protection	Yes			
	Over/Under Frequency Protection	Yes			
	Anti-Islanding Protection	Yes			
	Over Current Protection	Yes			
	Reverse DC Polarity Protection	Yes			
	Overload Protection	Yes			
	Protection Degree	NEMA-6 / IP-66 / IP-67			
	Ambient Temperature	-40°F to +149°F (-40°C to +65°C)			
	Operating Temperature	-40°F to +185°F (-40°C to +85°C)			
	Display	LED LIGHT			
	Communications	Power Line			
	Dimension (W-H-D)	10.91"x5.20"x1.97"(277x132x50 mm)			
	Weight	6.4 lbs. (2.9 kg)			
	Environment Category	Indoor and outdoor			
	Wet Location	Suitable			
	Pollution Degree	PD 3			
	Overvoltage Category	II(PV), III (AC MAINS)			
Product Safety Compliance	UL 1741 CSA C22.2 No. 107.1	IEC/EN 62109-1 IEC/EN 62109-2			
Grid Code Compliance* (Refer to the label for the detailed grid code compliance)	IEEE 1547	VDE-AR-N 4105* VDE V 0126-1-1/A1 G83/2, CEI 021 AS 4777.2 & AS 4777.3, EN50438 ABNT NBR 16149/1615			